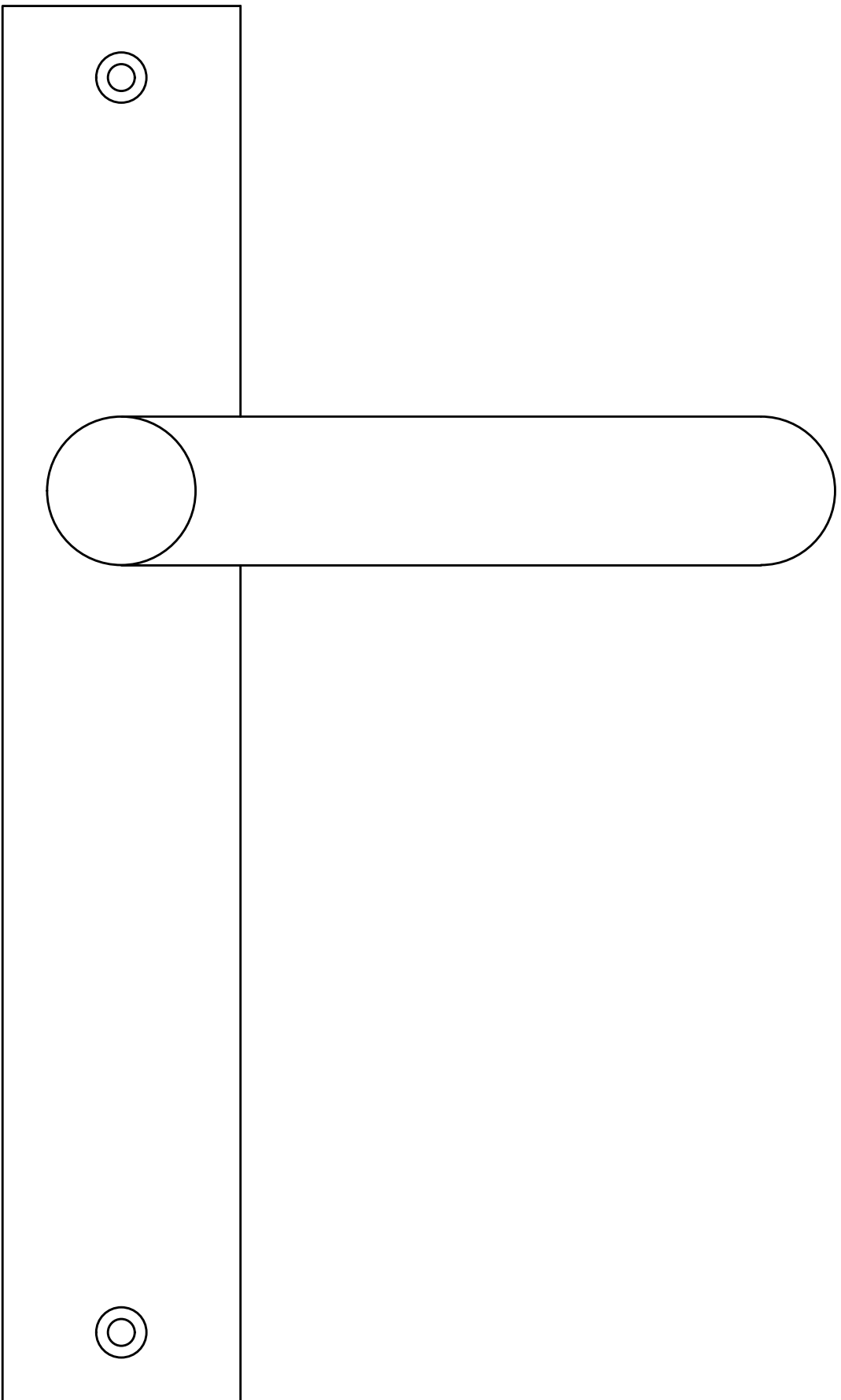


3

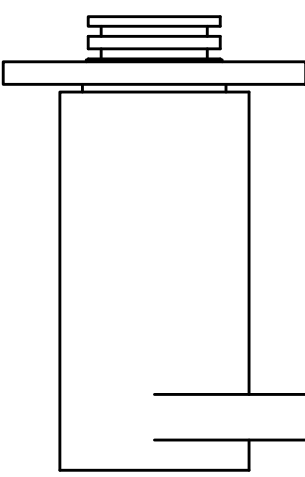
235



81,5

40

3

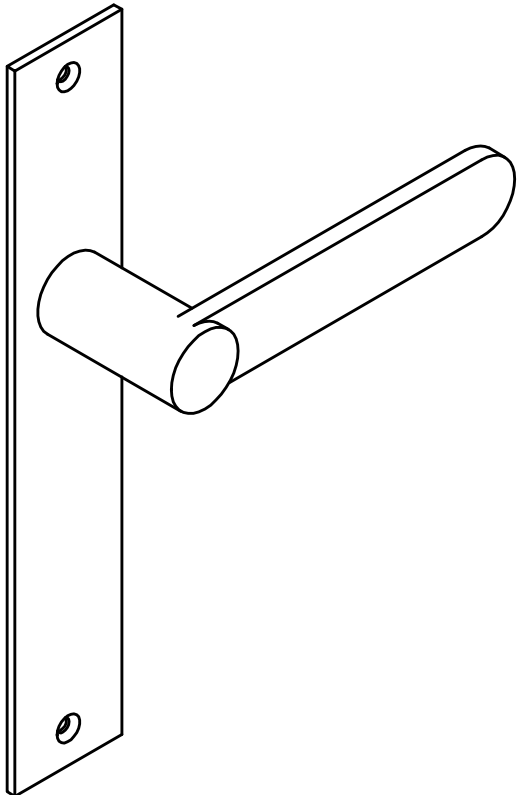


54

6

132,5

140



<h1>FORMANI®</h1>		Part number:	
		Description:	
Doc no.:	3301D004 TENSE BB103P236SFC V01.dwg	<h2>TENSE</h2> <h3>BB103P236SFC</h3>	Format:
Drawn by:	Christian Brimbois		Creation date:
FORMANI HOLLAND B.V. EUROPALAAN 12 6199 AB MAASTRICHT-AIRPORT NL T +31 (0)43 308 90 00 INFO@FORMANI.COM FORMANI.COM		<h1>A3</h1>	