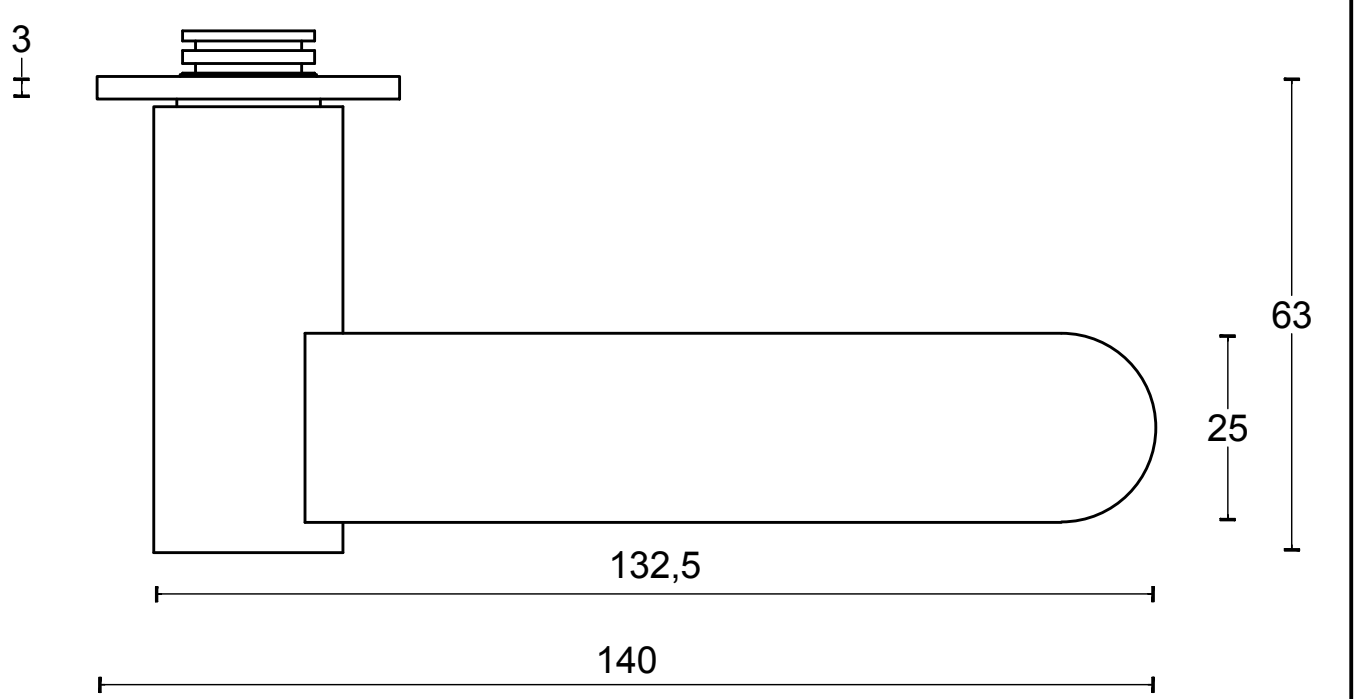
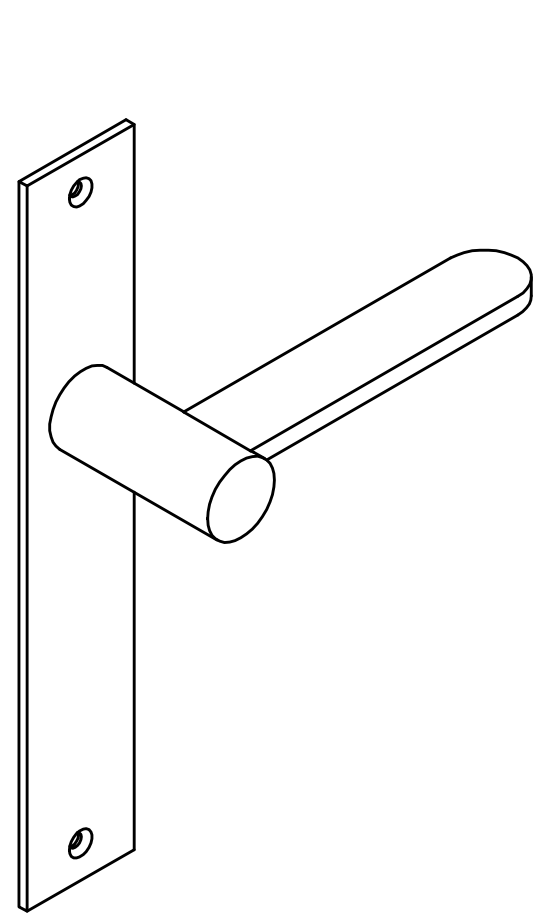


I3



<p style="text-align: center;">FORMANI[®]</p>		Part number:	
		Description:	
Doc no.:	3301D003 TENSE BB102P236SFC V01.dwg	<p style="font-size: 24pt;">TENSE</p> <p style="font-size: 24pt;">BB102P236SFC</p>	Format:
Drawn by:	Christian Brimbois		Creation date:
<p>FORMANI HOLLAND B.V. EUROPALAAN 12 6199 AB MAASTRICHT-AIRPORT NL T +31 (0)43 308 90 00 INFO@FORMANI.COM FORMANI.COM</p>			

A3