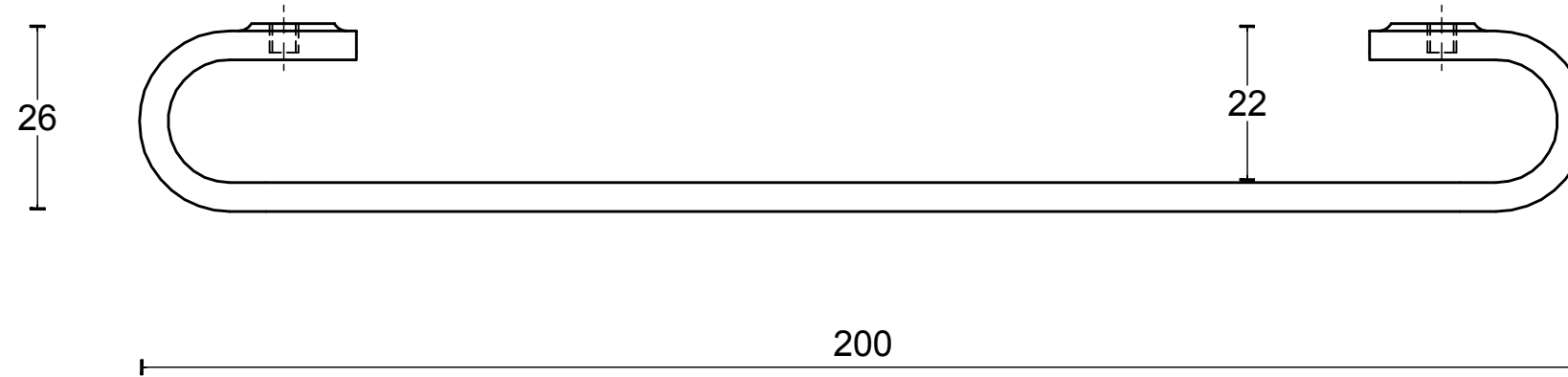
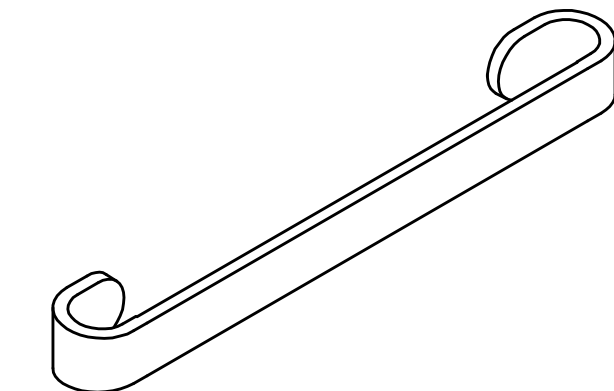
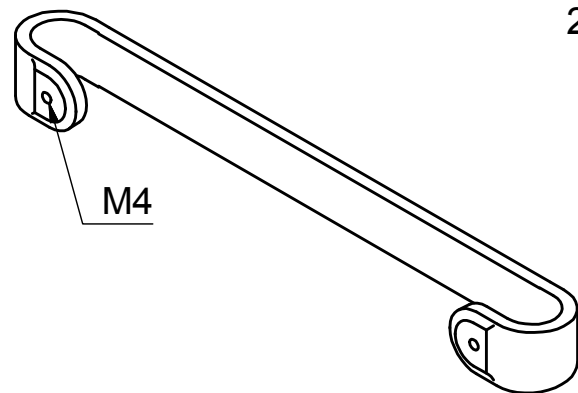
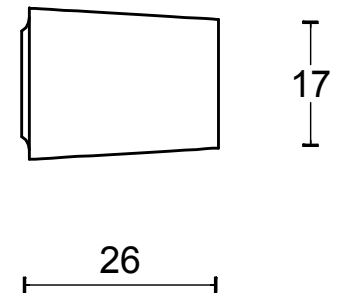
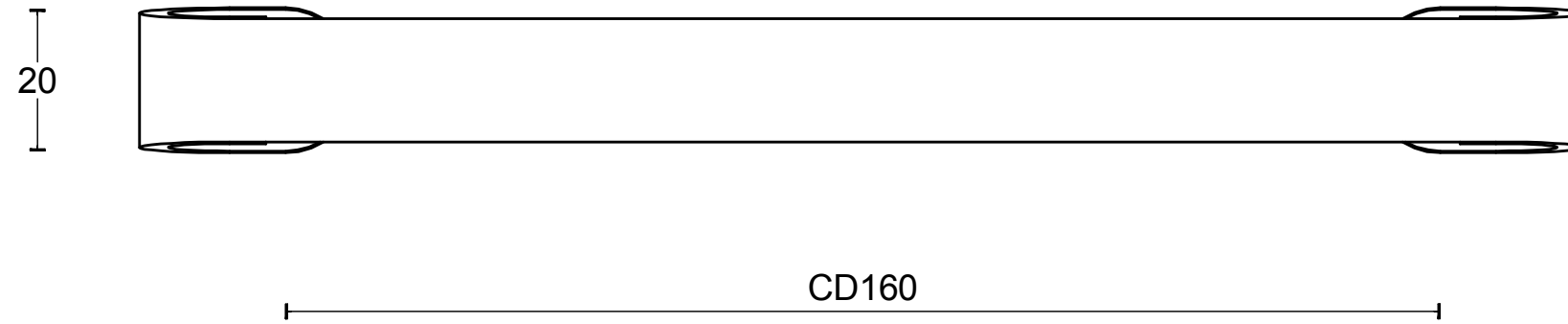


TB20/160

accessory
solid cabinet handle
stainless steel



4



FORMANI [®]		Part number:	
		Description:	
Doc no.: 2904M001 TB20 160 V03.dwg	TB20/160		Format:
Drawn by: Christian Brimbois Creation date: 4-3-2013			A3
Formani Holland B.V. · Amerikalaan 55 · 6199 AE Maastricht Airport · tel: +31 (0)43 308 90 00 · www.formani.nl · info@formani.nl			